



Pedestrian Barrier MAGSTOP

Pivot MPP 112

Technical Data:	Typ	MPP 112
Voltage	VAC	115–240
Frequency	Hz	50–60
Current nom.	mA	200
Current max.	mA	850
Duty Cyclus	%	100
Protection	IP	32/44
Length	inches	15 3/4"
Width	inches	11 4/5"
Height	inches	40 3/4"
Weight	Lbs	40

Product Description

The Magnetic Pedestrian Barrier Pivot model MPP (Magnetic Pedestrian Pivot) is designed to control pedestrians entering or exiting restricted areas, for low to medium security applications.

The barrier consists of a rotating center with a step rotation of 3 x 120 degrees. The mechanism provides a single access of 1 x 120 increments.

The operation of the barrier allows for controlled dual directional pedestrian flow and is capable of blocking in either direction, or free rotation in either direction.

This model can be used in two directional control applications with high throughput.

Typical Fields of Applications:

- Train stations
- Airports
- Sport stadiums
- Museums
- Corporate entries
- Public Swimming pools
- Public facilities
- Fitness Studios
- Immigration
- School Cafeterias

Housing

The housing is made of stainless steel 430 with protection class IP32. The standard type is for indoor installations. Magnetic provides a IP44 rating for Outdoor applications.

Motor Drive

Our new developed and patented Magnetic High Torque Motor MHTM® with resolver technology is the heart of the drive unit. The brushless DC motor allows a direct drive of the arms without additional gear.

In connection with the new universal MBC Controller the system provides functional features that meet any application. The motor offers numerous benefits including a near noiseless operation, smallest dynamic impact forces, impact detection, lowest abrasion and exact positioning of the arms.

Performance and speed of the motor is set by a response curve. This provides an optimized operation performance. Thus, allowing the arm to reach its end position softly.

The MHTM drive mechanism allows the detection of unauthorized or forced passage. In case of vandalism the innovative and hardened tooth clutch will lock the arms when a force of 700 – 800 N is applied to the arms.

Any force greater than 800 N will spin the arms approx. five degrees and activate an alarm.

This feature will prevent damage to the drive unit through vandalism.

The barrier will return to its home position immediately upon release of the force.

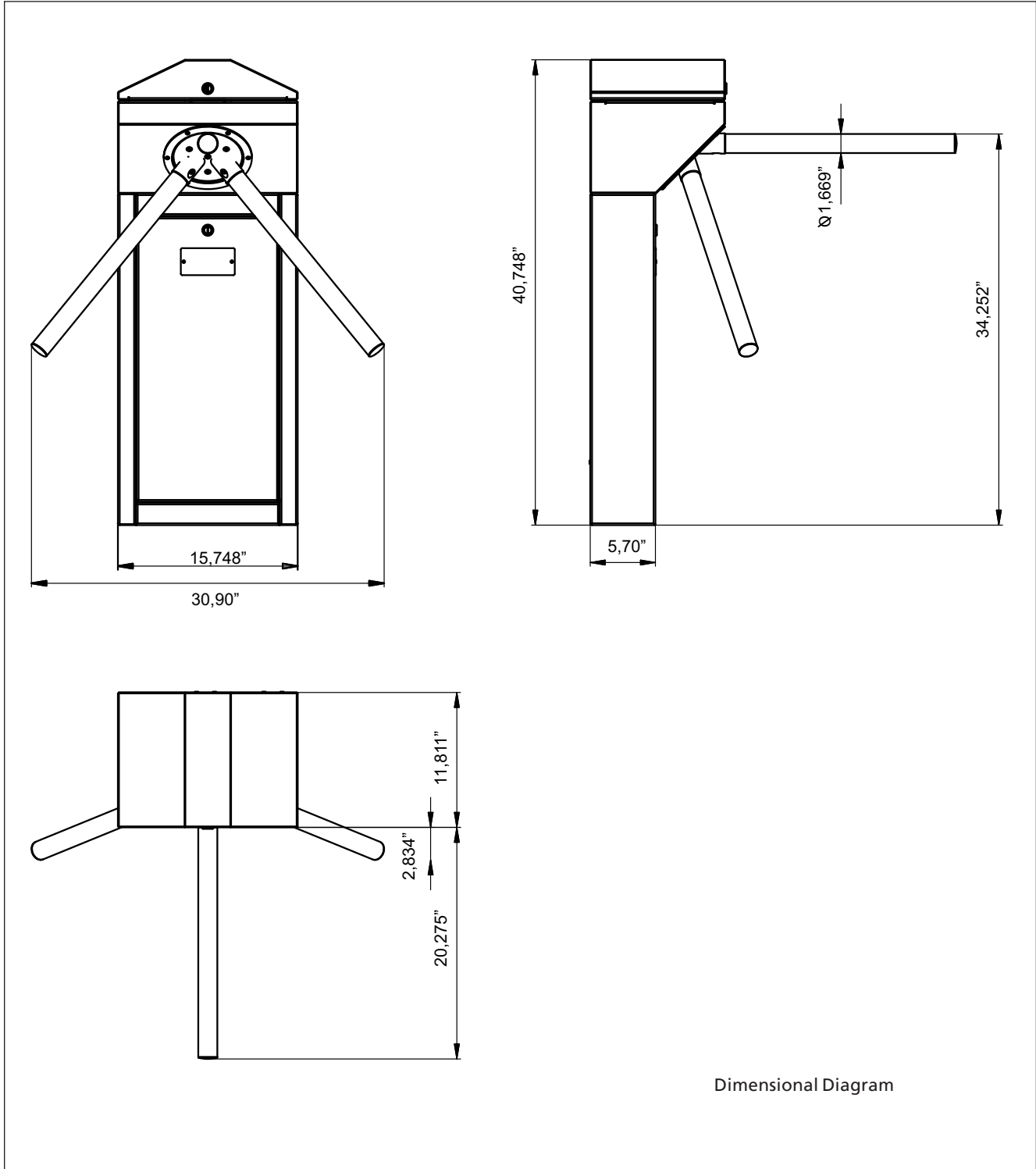
The MHTM motor operates under constant power in the home position; therefore the heat dissipated prevents any condensation and extends the life of the system.

Option

Optionally the MPP Pedestrian Pivot can be supplied with a patented automatic return drop arm.

This feature allows the arm to drop in case of an emergency, e.g. fire alarm, accident, or in the event of power failure to allow free passage. Hence resulting in an obstacle free passage in case of an emergency.

Magnetic's drop-arm automatically (without any manual assistance) returns to its operating position once the emergency is cleared. This patented technology allows the passage to be cleared and returned to its operating position through a single contact from an emergency system.



Dimensional Diagram